

ACTIVEDRIVER plus

INVERTER FOR ELECTRIC PUMPS



ACTIVE DRIVER PLUS

INVERTER FOR ELECTRIC PUMPS



TECHNICAL DATA

Line voltage: 115V e 230V single phase. 400V three-phase.
Electric pump voltage: 115V e 230V single phase, 230V e 400V three-phase.
Frequency: 50 Hz - 60 Hz.
Installation: vertical or horizontal (for M/M e M/T).
Max. Liquid temperature: 50°C.
Max. operational temperature: 60°C.
Portata max: 15m³/h.
Max. pressure: 13 bar.
Pressure regulation range: from 1 to 13 bar.
Aspiration diameter (DNA): 1 1/4" male.
Discharge diameter (DNM): 1 1/2" female.
Protection rating: IP55.
Communication interface for sets: Yes, an Active Driver per pump.

APPLICATIONS

The units with Active Driver were designed and manufactured to meet the needs for constant **pressure required** by modern plumbing systems. Constant pressure regulation is applicable to many sectors: Water supply for irrigation, industry, hotels, housing construction, thermal baths. The basic concept that guided our Engineers in the development of these units was to manufacture a system that is **simple, flexible and reliable**.

ADVANTAGES

Constant pressure - Quiet operation - Economical - Reduced water consumption - Smaller footprint (Expansion tanks not required) Less maintenance - Dry-running protection - Complete protection of the pump from faults.

ACTIVE DRIVER NOTES

The Active Driver inverter is a pump control device that includes the connections to the hydraulic system, a pressure sensor, a flow sensor, and an electronic frequency inverter. Active Driver is applied on the delivery of **each electric pump**, and regulates the rotation speed of the pump it is connected to, so that the **pressure is kept constant** in spite of variations in the required flow rate. The water flowing through the Active Driver Plus connections also contributes to **eliminating the heat** produced by the internal electric components.

OPERATION

Active Driver orders the pump to start as soon as it detects a request of water. The speed of the pump is (consistently) regulated at the minimum value that meets the request of the user. This ensures important energy savings. In this set, the second and third pump are activated in cascade when the first pump reaches the maximum rotation speed. The pump pressure may be adjusted by the user using the + and - buttons on Active Driver (usually all of the pumps are set at the same pressure level).

The pumps stop automatically when there is:

Pump overload - dry-running - low voltage - Maximum pressure exceeded (adjustable) - Active Driver electronics overheating.

ACTIVE DRIVER FUNCTIONS DISPLAYED

Pump operational frequency (Hz) - Real-time pressure (bar) - Amperes absorbed by the pump - Alarms.

ACTIVE DRIVER EXTERNAL CONNECTIONS (models M/T 2.2 - T/T 3.0 - T/T 5.5 only)

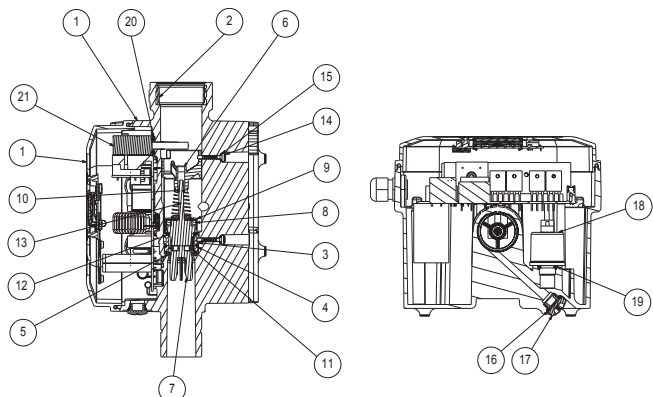
Inputs: pump disabling, pressure switch, float against dry operation, second pressure setpoint.

Outputs: two terminals with no potential for signaling alarms, pump stop, pump running.

MATERIALS

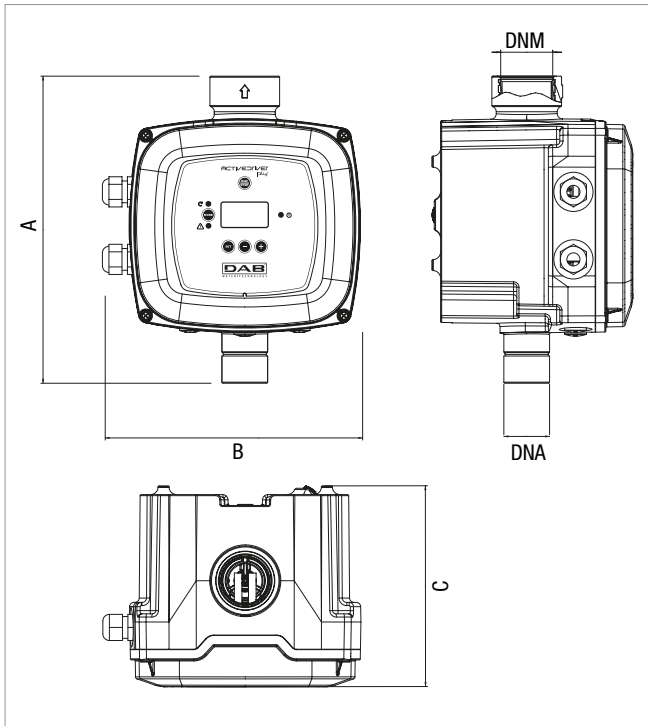
N°	PARTS*	MATERIALS
1	ACTIVE DRIVER PLUS BODY	VERPLEN
2	THREADED BRASS INSERT - 1-1/2 GAS	BRASS
3	VNR HOUSING	NORYL
4 - 10 - 12 - 15 - 16 - 19	O-RING	NBR
5 - 20	O-RING	EPDM 70 WRAS
6	VNR GUIDE	NORYL
7	VNR BODY	NORYL
8	MAGNET	FERRITE + PARYLENE
9	VNR COVER	NORYL
11	O-RING	SILORPREN
13	SPRING SP1	STAINLESS STEEL
14	SCREW	STAINLESS STEEL
17	INSERT - 3/8" GAS	PPE 20GF
18	PRESSURE SENSOR	STAINLESS STEEL
21	HEAT DISPERSER	BRASS

* In contact with the liquid.



ACTIVE DRIVER PLUS

INVERTER FOR ELECTRIC PUMPS



MODEL	A	B	C	DNM	DNA	PACKING DIMENSIONS			WEIGHT Kg
						L/A	L/B	H	
ACTIVE DRIVER PLUS M/M 1.1	237	282	185	1" 1/2F	1" 1/4M	340	270	220	3,5
ACTIVE DRIVER PLUS M/M 1.5	237	282	185	1" 1/2F	1" 1/4M	340	270	220	3,5
ACTIVE DRIVER PLUS M/M 1.8	237	282	185	1" 1/2F	1" 1/4M	340	270	220	3,8
ACTIVE DRIVER PLUS M/T 1.0	237	282	185	1" 1/2F	1" 1/4M	340	270	220	3,5
ACTIVE DRIVER PLUS M/T 2.2	237	282	185	1" 1/2F	1" 1/4M	340	270	220	3,5
ACTIVE DRIVER PLUS T/T 3.0	237	282	185	1" 1/2F	1" 1/4M	340	270	220	4,5
ACTIVE DRIVER PLUS T/T 5.5	237	282	185	1" 1/2F	1" 1/4M	340	270	220	4,6

MODEL	MAX CURRENT MOTOR A	MAX POWER MOTOR kW	POWER SUPPLY 50 Hz	POWER SUPPLY ELECTRIC PUMP	COMMUNICATION INTERFACE FOR SETS	USE WITH PUMP TYPE	ADJUSTMENT PRESSURE BAR
ACTIVE DRIVER PLUS M/M 1.1	8,5	1,1	Single phase 1x230	Single phase 1x230	YES	Surface pumps, submerged 4" and 5" with single phase motor with current draw up to 8.5 A	1-6
ACTIVE DRIVER PLUS M/M 1.5	11	0,55	Single phase 1x115	Single phase 1x115	YES	Surface pumps, submerged 4" and 5" with single phase motor with current draw up to 11 A	1-9
		1,5	1x230	1x230			
ACTIVE DRIVER PLUS M/M 1.8	14	1,0	Single phase 1x115	Single phase 1x115	YES	Surface pumps, submerged 4" and 5" with single phase motor with current draw up to 14 A	1-9
		1,8	1x230	1x230			
ACTIVE DRIVER PLUS M/T 1.0	4,7	1,0	Single phase 1x230	Three-phase 3x230	YES	Surface pumps, submerged 4" and 5" with 230 V three-phase motor with current draw up to 4.7 A	1-5
ACTIVE DRIVER PLUS M/T 2.2	10,5	2,2	Single phase 1x230	Three-phase 3x230	YES	Surface pumps, submerged 4" and 5" with 230 V three-phase motor with current draw up to 10.5 A	1-13
ACTIVE DRIVER PLUS T/T 3.0	7,5	3,0	Three-phase 3x400	Three-phase 3x400	YES	Surface pumps, submerged 4" and 5" with 400 V three-phase motor with current draw up to 7.5 A	1-13
ACTIVE DRIVER PLUS T/T 5.5	13,3	5,5	Three-phase 3x400	Three-phase 3x400	YES	Surface pumps, submerged 4" and 5" with 400 V three-phase motor with current draw up to 13.3 A	1-13

DNA[®]

PUMPS SELECTOR



On-line product selection



DAB PUMPS LTD.

Unit 4 and 5, Stortford Hall Industrial Park,
Dunmow Road,
Bishops Stortford,
Herts
CM23 5GZ - UK
salesuk@dwtgroup.com
Tel. +44 1279 652 776
Fax +44 1279 657 727



DAB PUMPS IBERICA S.L.

Avenida de Castilla nr.1 Local 14
28830 - San Fernando De Henares - Madrid
Spain
info.spain@dwtgroup.com
Tel. +34 91 6569545
Fax: +34 91 6569676



DAB PUMPS INC.

3226 Benchmark Drive
Ladson, SC 29456 - USA
info.usa@dwtgroup.com
Tel. 1-843-824-6332
Toll Free 1-866-896-4DAB (4322)
Fax 1-843-797-3366



DAB PUMPS B.V.

Brusselstraat 150
B-1702 Groot-Bijgaarden - Belgium
info.belgium@dwtgroup.com
Tel. +32 2 4668353
Fax +32 2 4669218



DAB PRODUCTION HUNGARY KFT.

H-8800
Nagykanizsa, Buda Ernő u.5
Hungary
Tel. +36 93501700



DWT SOUTH AFRICA

Podium at Menlyn,
3rd Floor, Unit 3001b, 43 Ingersol Road,
C/O Lois and Atterbury street,
Menlyn, Pretoria, 0181 - South-Africa
info.sa@dwtgroup.com
Tel. +27 12 361 3997
Fax +27 12 361 3137



DAB PUMPS B.V.

Albert Einsteinweg, 4
5151 DL Drunen - Nederland
info.netherlands@dwtgroup.com
Tel. +31 416 387280
Fax +31 416 387299



DAB PUMPS POLAND Sp. z o.o.

Mokotow Marynarska
ul. Postępu 15C
02-676 Warszawa - Poland
Tel. +48 223 81 6085



DAB PUMPS CHINA

No.40 Kaituo Road, Qingdao Economic & Technological
Development Zone
Qingdao City, Shandong Province - China
PC: 266500
info.china@dwtgroup.com
Tel. +8653286812030-6270
Fax +8653286812210



DAB UKRAINE Representative Office

Regus Horizon Park
4 M. Hrinchenka St, suit 147
03680 Kiev - Ukraine
Tel. +38 044 391 59 43



DAB PUMPEN DEUTSCHLAND GmbH

Tackweg 11
D - 47918 Tönisvorst - Germany
info.germany@dwtgroup.com
Tel. +49 2151 82136-0
Fax +49 2151 82136-36



OOO DAB PUMPS

Novgorodskaya str, 1, bld G, office 308
127247 Moscow - Russia
info.russia@dwtgroup.com
Tel. +7 495 122 00 35
Fax +7 495 122 00 36



DAB PUMPS DE MÉXICO, S.A. DE C.V.

Av Gral Álvaro Obregón 270, oficina 355
Hipódromo, Cuauhtémoc 06100
México, D.F.
Tel. +52 55 6719 0493